



Solarcontrol SC 230

1. General

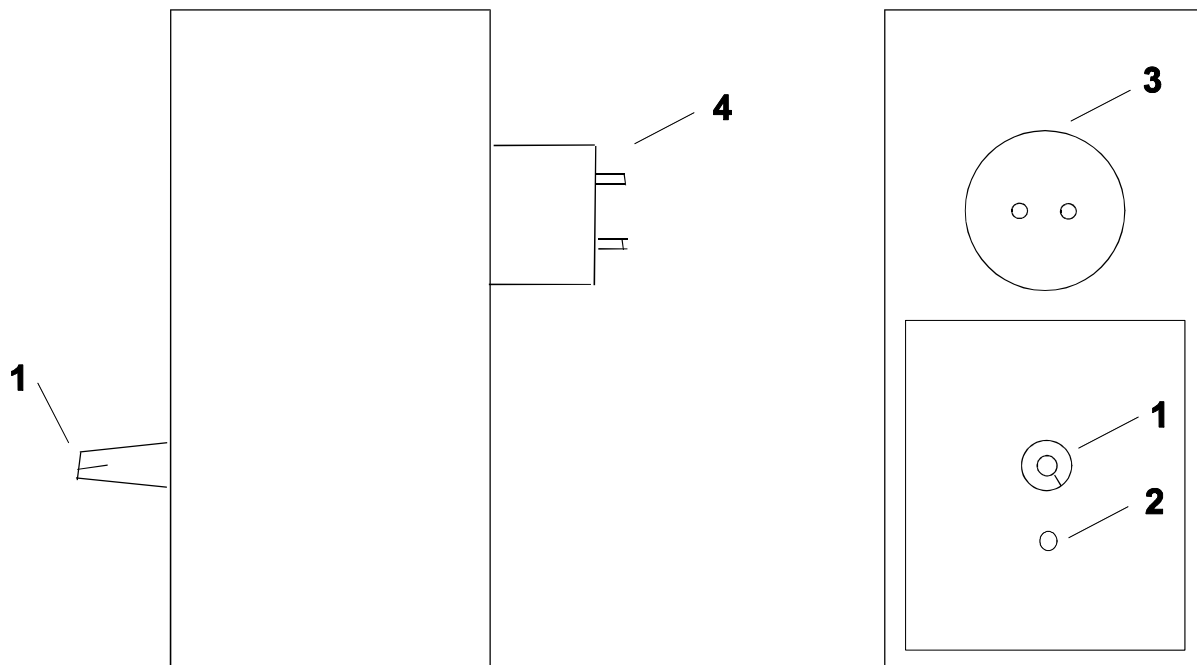
The **Solar Control SC 230** compares the temperature of the water in the pool with the measure of the solar sensor. If necessary, the Solar Control activates the solar unit. Therefore, the solar unit works automatically and more efficiently with regard to a manual control.

Warning: Use devices only with the corresponding protection degree (IP 40 / DIN VDE 0470).

Make sure you connect them to a wall socket installation. FI-Protection Switch is needed!

The manufacturer takes no responsibility and warranty is not covered for damage due to improper purposes or other applications.

2. How to use



(1) Thermostatic-regulator
“Temperature”

(2) Indicator
“Solar pump ON”

(3) Wall Socket
“Solar pump”

(4) Plug

ideal temperature of the water in the pool. Ideal temperature can be regulated in a temperature scale from 16 to 36 Grad Celsius. A light diode (2) indicates the operation of the solar pump.

the pool technical devices.

Note: The temperature scale only provides estimated values. Do please note that slightly deviations of $\pm 2^\circ \text{C}$ are possible!

The thermostatic regulator (1) is used to adjust the

Warning: Temperatures $> 28^\circ \text{C}$ can damage the pool basin equipment or

3. Installation / Electrical connection

The installation of electrical devices must be carried out by a qualified electrician. (The term “qualified electrician” is defined in the Norm VDE 0105).

Warning: Make sure the unit has NO current before manipulating it.

Place the solar control unit in a dry place with a good ventilation. Room temperature: min. 5 ° Celsius, max. 40 ° Celsius. **Protection degree: IP 40.**

Important: Connect the transformer to a wall socket installation through a FI-Protection Switch 0,03 A. Safety device max. 16 A. Make sure you provide the installation with a splitting-device that will disconnect the unit from the net current with a min. of 3 mm contact opening of each pole.

Always comply with the

requirements of the VDE Standard and the local regulations (EVU).

Water and Solar Sensor

The upper and lower parts of the device are connected through various cables. So do please open the unit carefully. Each water and solar sensor must be connected to two electrical terminals each.

The electrical terminals are indicated as follows:

Water sensor:
WS

Solar sensor:
SF

Solar pump

Plug the solar pump into the wall socket (3). Before the starting up, make sure you check again the connection values.

Connection values for the solar pump:

230 V / 50 Hz

max. 1,0 KW

The solar pump operates the solar unit through a separate water circulation's circuit.